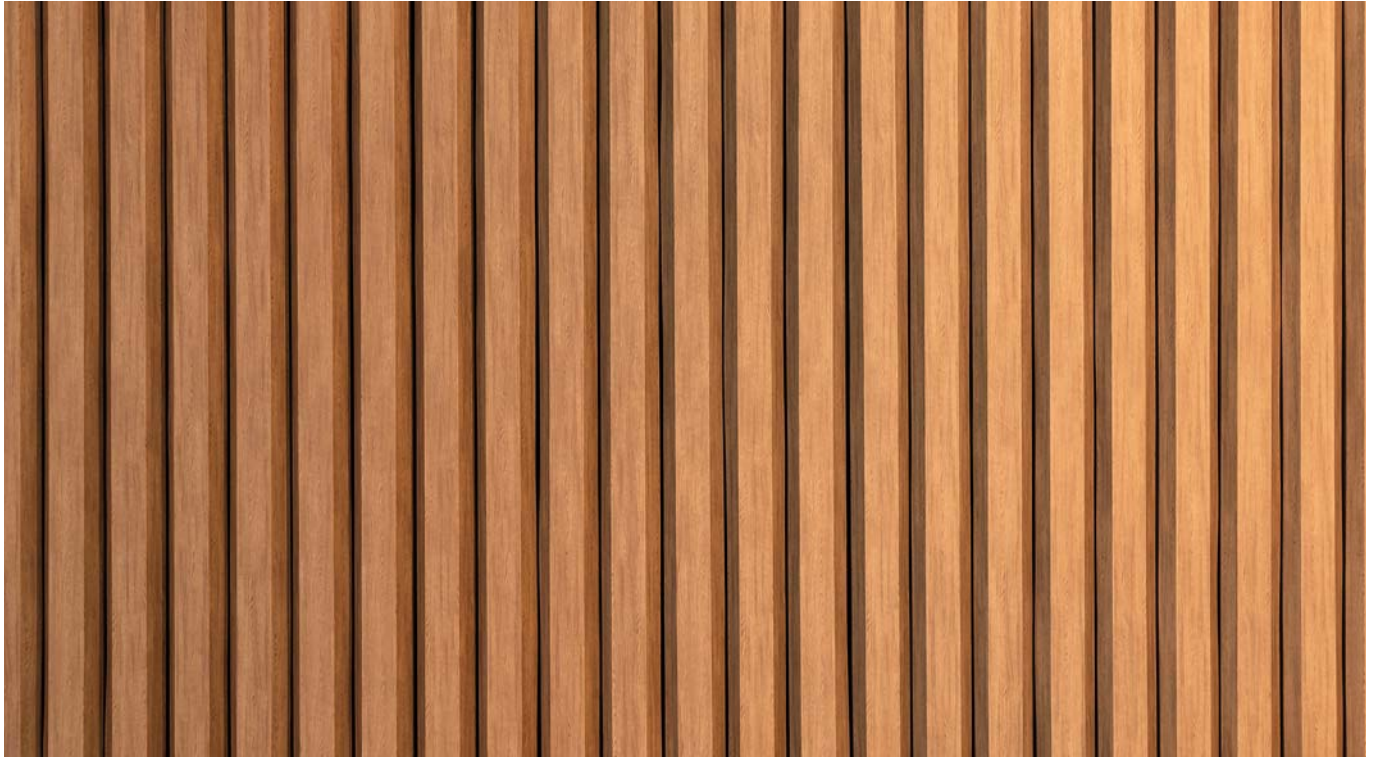
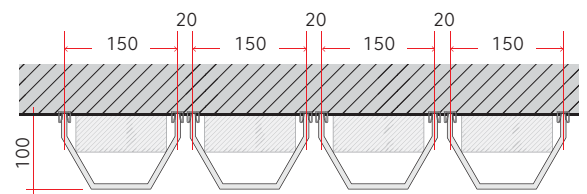


Double Track-7150
Double track system

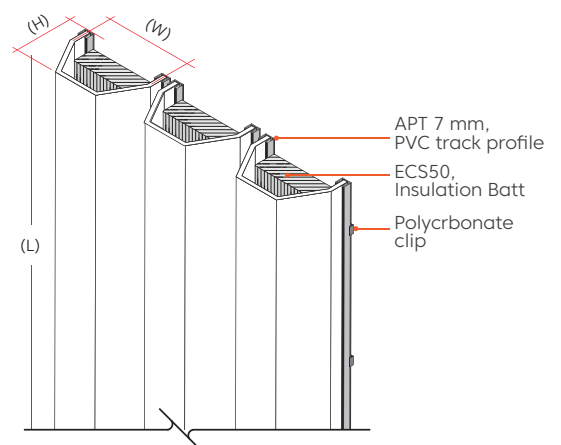


Product Name	Wall baffle-Double Track-7150
Product Category	Wall
Material	100% Polyester fibers with >60% recycled content
Weight	7,400 gram/sq.m +/-
Density	200 kgs/Cubic.m +/-
Thickness	- mm +/-10%
Dimension	W150 x L2,800 x H100 mm
Performance	
Sound Transmission Class	STC 5, ISO 717 Part 1
Sound Absorption	NRC 0.90-1.00 with air gap, ISO 354
Color Fastness to Light	> 6, ISO 105 B02-1994
Reaction to Fire	EN 13501-1, Class B-s1, d0
Indoor Air Quality	Low VOCs emission, formaldehyde and Phenol-free
Moisture Content	<0.10% by weight

Optionally



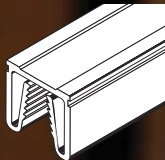
Top View



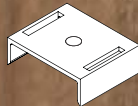


Fittings :

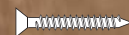
AC-021, PVC track profile
2.80M length



AC-023, Polycarbonate clip
for track profile



Wall plug



Screw F4(M4) 1"