

**Square Shape 024**  
Horizontal System Hanging



Product Name **Ceiling Cloud-Square Shape 024**  
 Product Category **Ceiling**  
 Material **100% Polyester fibers with recycled content**  
 Weight **4,800 gram / sq.m**  
 Density **200 kgs / Cubic.m**  
 Thickness **24 mm +/-10%**  
 Size **1,220 mm x 2,800 mm**

Performance  
 Sound Transmission Class **STC 5, ISO 717 Part 1**  
 Sound Absorption **NRC 0.60 with no air gap, ISO 354**  
 Sound Absorption Coefficients( $\alpha_s$ )

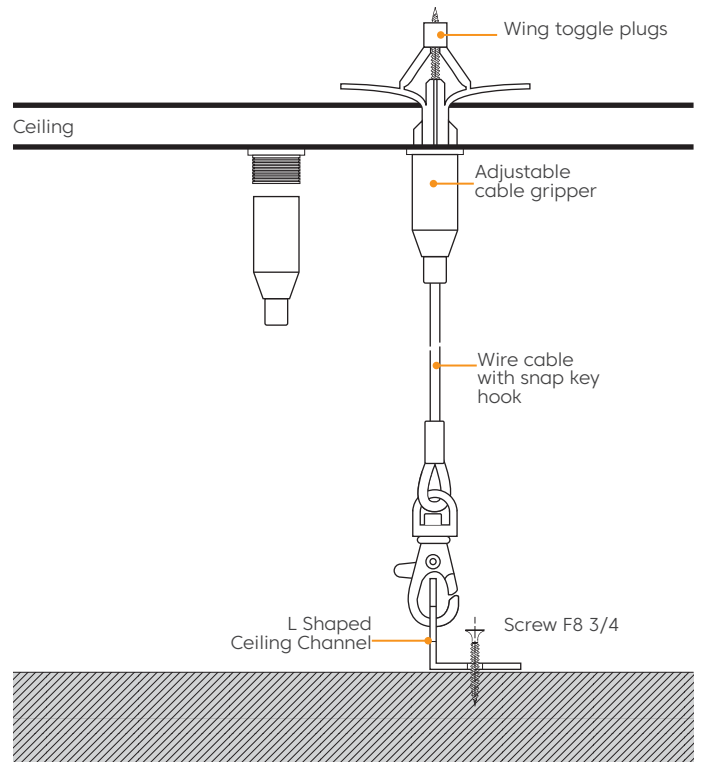
(Hz) Frequency f	125	250	500	1000	2000	4000
	0.02	0.57	0.41	0.58	0.87	0.85

Color Fastness to Light **> 6, ISO 105 B02-1994**  
 Indoor Air Quality **Low VOCs emission, formaldehyde and Phenol-free**  
 Moisture Content **< 0.10% by weight**

**Available Colors**



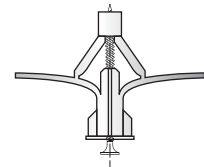
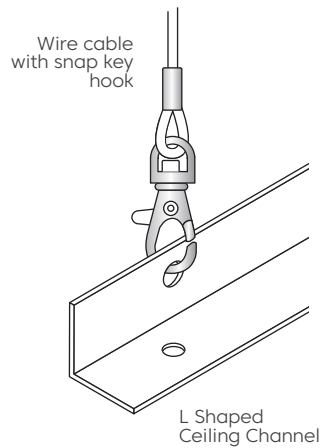
## Installation :



## Fittings :



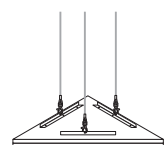
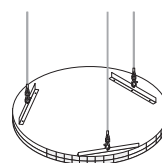
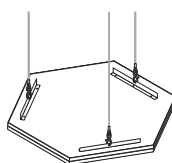
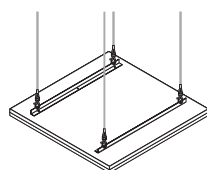
Adjustable cable gripper  
Dimension  $\varnothing$  32x25mm,  
Chrome



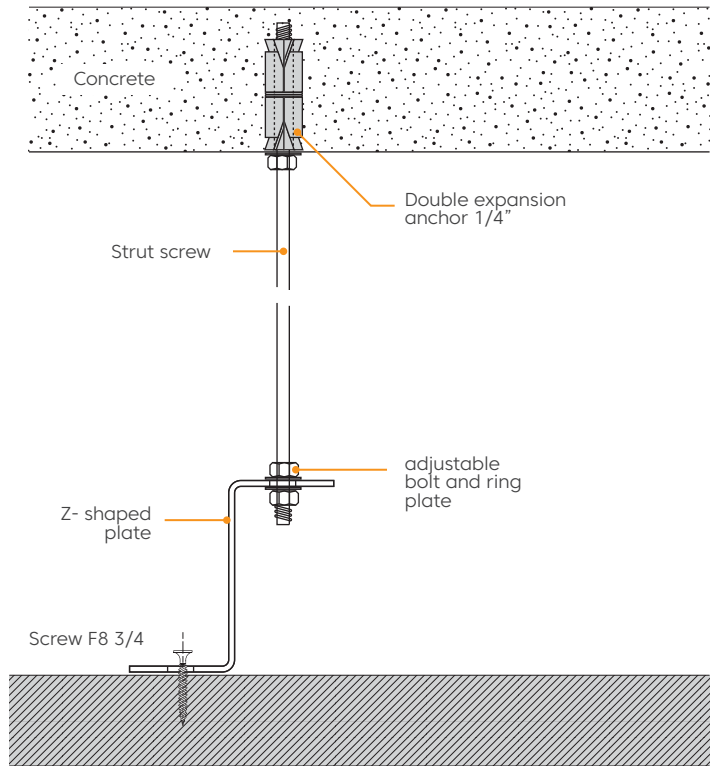
Wing toggle plugs  
set screw F8 1 1/2"



## Shape option :



# Installation :



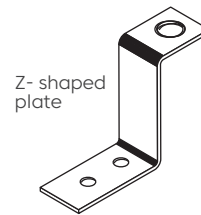
## Fittings :



Double expansion anchor 1/4"



Strut screw 1/4 with adjustable bolt and ring plate



Z- shaped plate



Screw F8 3/4

## Shape option :

