



Product detail

Product Name
Product Category
Material

Weight
Density
Thickness
Dimension

Ceiling Beam Baffle-750
Ceiling
100% Polyester fibers
with > 60% recycled content
1,250 gram / sq.m +/-
200 kgs / Cubic.m +/-
50 mm +/-10%
50 x 1,400 x 150 mm
50 x 2,800 x 150 mm

Performance

Sound Absorption
Color Fastness to Light
Reaction to Fire
Indoor Air Quality

Moisture Content

NRC 0.75 with no air gap, ISO 354
> 6, ISO 105 B02-1994
ASTM E84, Class A
Low VOCs emission, formaldehyde
and Phenol-free
< 0.10% by weight

Available Colors

9 Colors Available and
Printed option



Installation

> Installation with specific equipment by the manufacturer

Sustainability



100% recyclable
at the end of its
useful life



Certified Low
VOCs, Clean Indoor
Air Quality



No Red list chemicals,
Formaldehyde &
phenol free



“Produced using 40%
solar energy for a more
sustainable future.”



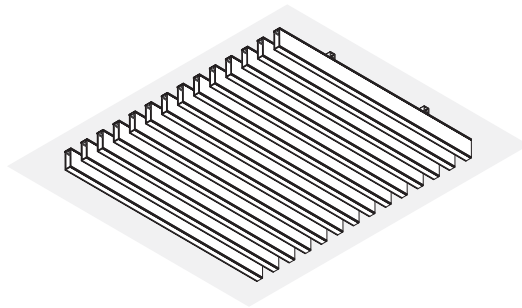
Minimum 60% post-
consumer recycled
material



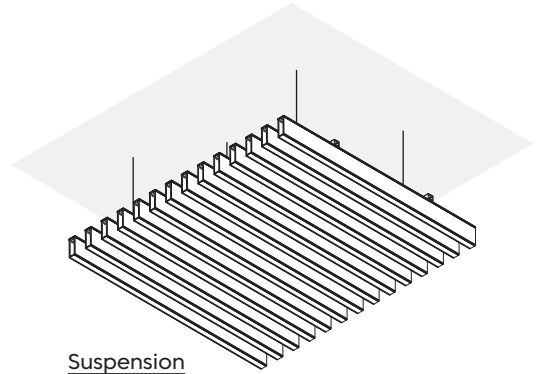
Environmental Product
Declaration in accordance
with ISO 14025 and EN 15804



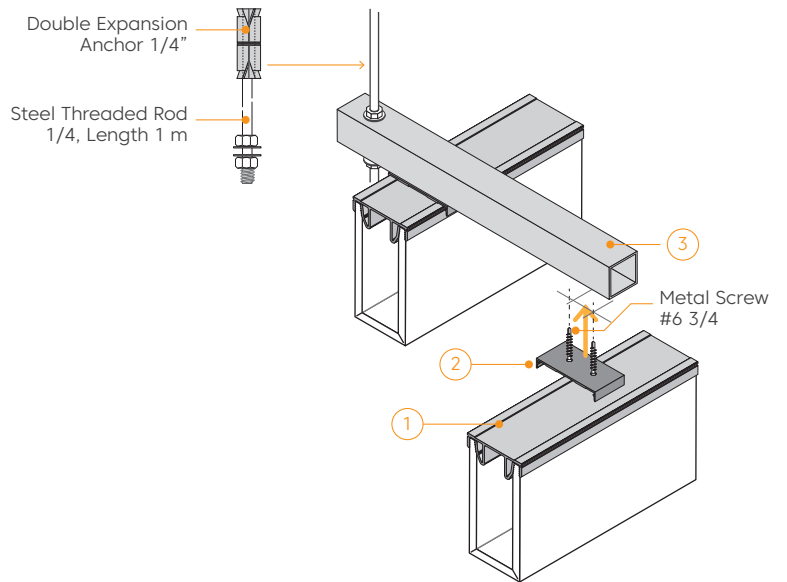
Installation :



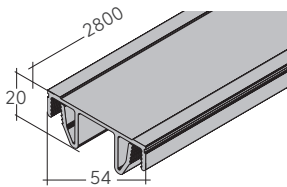
Direct attachment
Gypsum ceiling



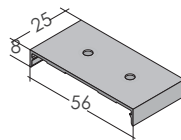
Suspension
Expose ceiling



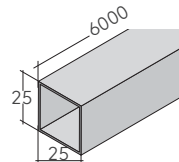
Fittings :



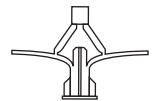
(1) AC-026, Dual Track Profile
Length 2.80m, Black Color



(2) AC-027, Polycarbonate clip



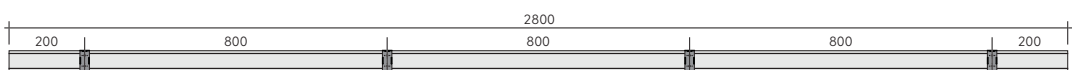
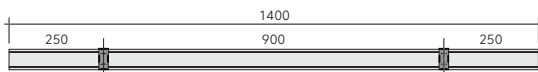
(3) Square tube 1x1"
Length 6 m



Wing toggle plug

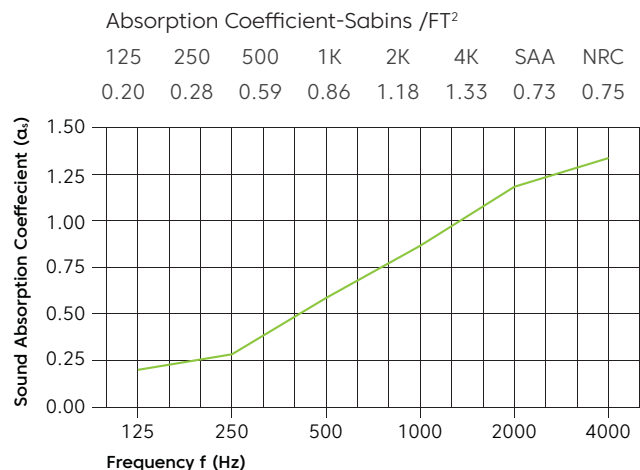


Screw F8(M4)
1 - 1 1/2"



Acoustic Performance

Noise Reduction Coefficient SAA/NRC 0.75
 ASTM C 423-09a, Standard Test Method for Sound Absorption Coefficients measured by the reverberation room method.



Reaction to Fire

(1) Standard Test Method for Surface Burning Characteristics of Building Materials ASTM E84-21

Class : A

Results

Test Specimen	Flame Spread Index	Smoke Developed Index
Fiber-Reinforced Cement Board, Grade II Red Oak Flooring Heptane, (HPLC) Grade	0-100	0-100
Test # 274796 ID: AP7mm Polyester Rigid Panel	10	200

Classification

Class A 0-25 Flame Spread Index 0-450 Smoke Developed Index
Class B 26-75 Flame Spread Index 0-450 Smoke Developed Index
Class C 76-200 Flame Spread Index 0-450 Smoke Developed Index

Color Fastness to Light

ISO 105-B02:1994, Textiles-Tests for colourfastness Part B02: colourfastness to artificial light : Xenon arc fading lamp test.

6-7

Rating	Blue Wool Scale
Very poor lightfastness	1
Poor lightfastness	2-3
Fair lightfastness	4-5
Very good lightfastness	6
Excellent lightfastness	7-8

Remark(s) - Test apparatus : Atlas Xenon ARC weather-ometer model C13000+
 - Blue wood reference rang from 1 (Very low colour fastness) to 8 (Very High colour fastness)

Moisture content

ASTM D629-99 (TEST METHOD)
 Standard test methods for quantitative analysis of textiles test parameters - Moisture content test result

0.09%

Environmental

At Feltech, sustainability is at the core of our innovation. We create high-performance acoustic and thermal insulation products using recycled polyester fibers from discarded water bottles. Every square of our carpet tiles and acoustic wall panels contains post-consumer recycled polyester, helping to reduce waste and support a circular economy.

With up to 60% recycled content, our products exceed USGBC LEED MR credit 4.1 & 4.2 targets for recycled materials. By choosing Feltech, you're not only enhancing your space with superior acoustic solutions but also contributing to a cleaner, more sustainable environment-while potentially earning LEED points for your project.



EPD

"Global GreenTag ensures environmental transparency with ISO-Compliant Environmental Product Declarations (EPDs)"

<https://www.globalgreentag.com/manufacturer-feltech-manufacturing.html>



Indoor Advantage™ Gold

Indoor Air Quality certified to SCS-EC10.3-2014 v4.0 conforms to the CDPH/EHLB Standard Method (CA 01350) v1.2-2017 for the school classroom, private office, and single-family residence parameters.

https://www.scsglobalservices.com/certified-green-products-guide?pd_pid=47731



CE marking

CE-marked for compliance with European safety, health, and environmental standards, ensuring quality and reliability.



ISO 14001

Environmental Management

Certified to ISO 14001, ensuring adherence to international environmental management standards for sustainable and responsible manufacturing



Feltech Manufacturing Co.,Ltd

Feltech pioneered the use of polyester fibers for their non-toxic, non - irritant properties and high efficiency in both sound absorption and thermal insulation. These fibers are also highly recyclable, contributing to cleaner indoor air quality and a more sustainable future.

Feltech operates state-of-the-art factories in Amata City industrial estate, Chonburi, Thailand, equipped with the latest technology, including advanced digital printing. This allows us to print any image or design directly onto our acoustic products, enhancing their high-quality surface finishes and creating uncompromising noise reduction performance for workspaces.

With our expertise in acoustic insulation technologies, our skilled team of designers provides a comprehensive service—from design consultation and technical advice to quotations and installation, ensuring a seamless experience

Our commitment to sustainability ensures a positive impact on both present and future generations.

Sales Office :

3388/92, 25th Floor, Sirinrat Bldg., Rama 4Rd., Klongton,
Klongtoey, Bangkok 10110 Thailand

Map.

<https://maps.app.goo.gl/TBfohCpTDYwRnD7u5>

Manufacturing Facilities : Amata City Chonburi Industrial Estate,

Plant 1

700/377, Moo 6, Donhuaroh, Muang Chonburi.
Chonburi. 20000 Thailand

Map.

<https://maps.app.goo.gl/ZGABMYA8zKUgQ4zB6>

Contact

+66 02 240 3041

line@feltech, FB/IG : feltech.acoustic

info@feltech.co.th

www.feltech.co.th

